

# Clarke®

## WOODWORKER



### DETAIL SANDER

MODEL NO: CDS1V

PART NO: 6462021

## OPERATION & MAINTENANCE INSTRUCTIONS

UK  
CA | CE



ORIGINAL INSTRUCTIONS

DL0422 - Rev 3

---

# INTRODUCTION

---

Thank you for purchasing this CLARKE Sander, which is designed only for DIY use.

Before attempting to use this product, please read this manual thoroughly and follow the instructions carefully. In doing so you will ensure the safety of yourself and that of others around you, and you can look forward to your purchase giving you long and satisfactory service.

## GUARANTEE

This product is guaranteed against faulty manufacture for a period of 12 months from the date of purchase. Please keep your receipt which will be required as proof of purchase.

This guarantee is invalid if the product is found to have been abused or tampered with in any way, or not used for the purpose for which it was intended.

Faulty goods should be returned to their place of purchase, no product can be returned to us without prior permission. This guarantee does not effect your statutory rights.

## SPECIFICATIONS

Model Number	CDS1V
Rated Voltage	230V~50Hz
Power Input	280W
Duty cycle classification	S1
Insulation class	II
Speed Range	3000 - 10000 orbits/min
Sound Power Level LWA	87 dB(A), Uncertainty Factor (K) 3 dB(A)
Weight	1.5 kg
Vibration	7.1 m/s <sup>2</sup> Uncertainty Factor (K) 1.5
Dimensions (L x W x H)	350 mm x 90 mm x 125 mm
Sanding Pad size	90 x 90 x 90 mm D-shape

---

# POWER TOOL SAFETY WARNINGS

---

## WORK AREA

1. **Keep the work area clean and well lit.** Cluttered and dark areas invite accidents.
2. **Do not operate power tools in explosive atmospheres, such as in the presence of flammable liquids or gases.** Power tools create sparks which may ignite the dust or fumes.
3. **Keep children and bystanders away while operating a power tool.** Distractions can cause you to lose control.

## ELECTRICAL SAFETY

1. **Power tool plugs must match the outlet. Never modify the plug in any way. Do not use adaptor plugs with earthed (grounded) power tools.** Unmodified plugs and matching outlets will reduce the risk of electric shock.
2. **Do not expose power tools to rain or wet conditions.** Water entering a power tool will increase the risk of electric shock.
3. **Do not abuse the cable.** Never use it for carrying, pulling or unplugging the power tool. Keep the cable away from heat, oil, sharp edges or moving parts. Damaged or entangled cables increase the risk of electric shock.
4. **When operating a power tool outdoors, use an extension cable suitable for outdoor use.** Use of a cable suitable for outdoor use reduces the risk of electric shock
5. **If operating the power tool in a damp location is unavoidable, use a residual current device (RCD) protected supply.**

## PERSONAL SAFETY

1. **Stay alert,** watch what you are doing and use common sense when operating a power tool. Do not use a power tool while you are tired or under the influence of drugs, alcohol or medication. A moment of inattention while operating power tools may result in personal injury.
2. **Use safety equipment. Always wear eye protection.** Safety equipment such as dust mask, non-skid safety shoes, hard hat, or hearing protection used for appropriate conditions will reduce personal injuries.
3. **Avoid accidental starting.** Ensure the switch is in the off position before plugging in. Carrying power tools with your finger on the switch or plugging in power tools that have the switch on invites accidents.
4. **Remove any wrench before turning the power tool on.** A wrench left attached to a rotating part may result in personal injury.

5. **Do not overreach.** Keep proper footing and balance at all times. This enables better control of the power tool in unexpected situations.
6. **Dress properly.** Do not wear loose clothing or jewellery. Keep your hair, clothing and gloves away from moving parts. Loose clothes, jewellery or long hair can be caught in moving parts.

## **POWER TOOL USE AND CARE**

1. **Do not force the power tool.** Use the correct accessories for your application. The correct power tool will do the job better and safer at the rate which it was designed for.
2. **Do not use the power tool if the switch does not turn it on and off.** Any power tool that cannot be controlled with the switch is dangerous and must be repaired.
3. **Disconnect the plug from the power source before changing accessories, or storing power tools.** Such preventive safety measures reduce the risk of starting the power tool accidentally.
4. **Store idle tools out of the reach of children and do not allow persons unfamiliar with the power tool or these instructions to operate it.** Power tools are dangerous in the hands of untrained users.
5. **Maintain power tools.** Check for misalignment or binding of moving parts, breakage of parts and any other condition that may affect the power tool's operation. If damaged, have the power tool repaired before use. Many accidents are caused by poorly maintained power tools.
6. **Use the power tool and accessories in accordance with these instructions and in the manner intended, taking into account the working conditions and the work to be performed.** Use of the power tool for operations different from intended could result in a hazardous situation.
7. The performance of this tool may vary, depending upon variations in line voltage. Extension cable usage may also affect performance.

## **SERVICE**

1. **Have your power tool serviced by qualified service personnel using only identical replacement parts.** This will ensure that the safety of the power tool is maintained.

## **ADDITIONAL SAFETY WARNINGS FOR SANDERS**

1. Secure the workpiece to a stable platform. Holding the workpiece by hand or against your body may lead to loss of control.
2. Dust arising from sanding may endanger the health of the operator and possible bystanders. Wear a dust mask and ensure that persons entering the work area are also protected.
3. Remove all dust after sanding.

4. Take care when sanding lead based paint or when sanding wood or metal which may produce toxic dust, - do not let children or pregnant women enter the work area.

## VIBRATION

The declared vibration values stated in the specification have been measured in accordance with a standard test method provided by EN 60745 and may be used for comparing one tool with another. The declared vibration emission value may also be used in a preliminary assessment of exposure.



**WARNING: THE VIBRATION EMISSION VALUE DURING ACTUAL USE OF THE POWER TOOL CAN DIFFER FROM THE DECLARED VALUE DEPENDING ON THE WAYS IN WHICH THE TOOL IS USED. THE VIBRATION LEVEL MAY INCREASE ABOVE THE LEVEL STATED.**

---

## ENVIRONMENTAL PROTECTION

---



Recycle unwanted materials instead of disposing of them as waste. All unwanted accessories and packaging should be sorted and taken to a recycling centre for disposal in a manner which is compatible with the environment.

Through purchase of this product, the customer is taking on the obligation to deal with the WEEE in accordance with the WEEE regulations in relation to the treatment, recycling & recovery and environmentally sound disposal of the WEEE.

In effect, this means that this product must not be disposed of with general household waste. It must be disposed of according to the laws governing Waste Electrical and Electronic Equipment (WEEE) at a recognised disposal facility.

# ELECTRICAL CONNECTIONS



**WARNING: READ THESE ELECTRICAL SAFETY INSTRUCTIONS THOROUGHLY BEFORE CONNECTING THE PRODUCT TO THE MAINS SUPPLY.**

Before switching the product on, make sure that the voltage of your electricity supply is the same as that indicated on the rating plate. This product is designed to operate on 230VAC 50Hz. Connecting it to any other power source may cause damage.

This product may be fitted with a non-rewireable plug. If it is necessary to change the fuse in the plug, the fuse cover must be refitted. If the fuse cover becomes lost or damaged, the plug must not be used until a suitable replacement is obtained.

If the plug has to be changed because it is not suitable for your socket, or due to damage, it should be cut off and a replacement fitted, following the wiring instructions shown below. The old plug must be disposed of safely, as insertion into a mains socket could cause an electrical hazard.

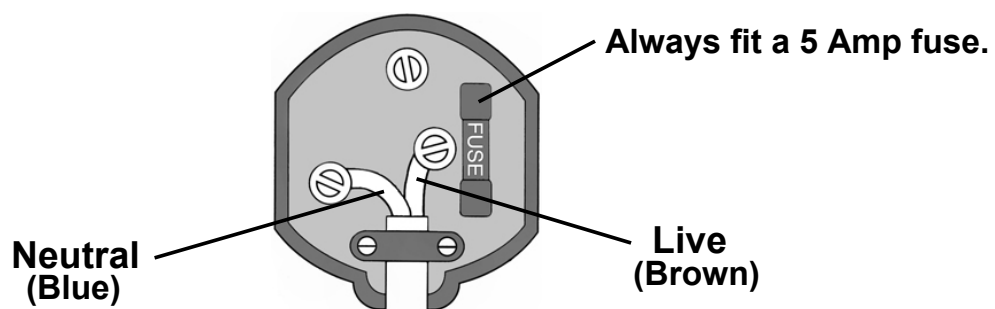


**WARNING: THE WIRES IN THE POWER CABLE OF THIS PRODUCT ARE COLOURED IN ACCORDANCE WITH THE FOLLOWING CODE:  
BLUE = NEUTRAL    BROWN = LIVE**

If the colours of the wires in the power cable of this product do not correspond with the markings on the terminals of your plug, proceed as follows.

- The **Blue** wire must be connected to the terminal which is marked **N**.
- The **Brown** wire must be connected to the terminal which is marked **L**.

**Plug must be BS1363/A approved.**



**Ensure that the outer sheath of the cable is firmly held by the clamp**

We strongly recommend that this machine is connected to the mains supply via a Residual Current Device (RCD)



**This symbol indicates that this is a Class II product, and does not require an earth connection.**

---

# OPERATION

---

## FITTING THE SANDING SHEET

1. Select the sanding pad to be used. Only prepared sheets for hook and loop attachment can be used.
2. Align the sanding sheet so that the holes are correctly aligned with those in the baseplate (this is necessary for dust extraction). Press the sanding sheet evenly onto the baseplate to attach it.
3. Plug the sander into the power supply
4. Press the rocker switch to switch the sander ON or OFF.

## DUST EXTRACTION

---



**WARNING: HARMFUL OR TOXIC DUST MAY BE PRODUCED WHEN SANDING LEAD PAINTED SURFACES, WOODS OR METAL. CONTACT WITH, OR INHALATION OF THESE DUSTS CAN ENDANGER THE HEALTH OF THE OPERATOR OR BYSTANDERS. CERTAIN DUSTS LIKE OAK AND BEECH ARE CONSIDERED TO BE CANCEROUS IN CONJUNCTION WITH ADDITIVES IN WOOD TREATMENTS (CHROMATE, WOOD PRESERVATIVES). ASBESTOS-CONTAINING MATERIALS MAY ONLY BE HANDLED BY EXPERTS.**

**WARNING: - USE A DUST EXTRACTION DEVICE OR A VACUUM CLEANER.**

**WARNING: - WORK IN A WELL VENTILATED ROOM. - THE USE OF A DUST MASK FILTER CLASS P2 IS RECOMMENDED. - OBSERVE LOCAL REGULATIONS REGARDING THE HANDLING OF CERTAIN MATERIALS.**

---

## FITTING THE DUST EXTRACTION ADAPTER OR FILTER

The dust collection attachment (not supplied) is fitted to the duct below the mains cable.

Fit the dust extraction adaptor by pushing it onto the rear of the sander.

**NOTE:** The user should still wear a dust mask to prevent the inhalation of dust particles.

Due to the nature of the sander, some of the dust produced will be forced into the surrounding atmosphere and will not be collected.

## OPERATING TECHNIQUE

1. Always hold the sander securely.
2. Do not exert undue pressure.

3. Regularly check the condition of the sanding pad and replace when necessary.
4. On very uneven surfaces or when removing layers of paint, start with a coarse grit. On other surfaces, start with a medium grit. In both cases, gradually change to a fine grit for a smooth finish.
5. Always use a sanding sheet that is in top condition;- damaged backing will cause damage to the base plate. Please note that base plates are NOT covered by the warranty.
6. Always place the sander on the workpiece before switching ON. This will prevent the edge of the moving sander from making a scar on the workpiece.
7. Move the sander evenly and smoothly over the surface of the workpiece with only light pressure. This helps to produce an even finish and will also prolong the life of the sanding sheet.
8. Let the sander do the work. Ensure the sander is flat on the work surface and DO NOT apply excess pressure as this will not only produce an uneven finish but will overload the motor causing it to burn out.
9. Wait until the sander has stopped completely before putting it down.
10. If the sander is not removing material efficiently, check the sanding sheet. If the abrasive is worn down replace the sheet. The sanding sheet must always be stored in a dry place as if it allowed to become damp, the abrasive particles will detach from the backing sheet and will not abrade.

---

## **MAINTENANCE**

---

Your sander will operate over a long period of time with a minimum of maintenance. Continuous satisfactory operation depends upon proper care. There are no user-serviceable parts in this sander. The bearings in this sander are sealed for life and require no maintenance.

Regularly clean the ventilation slots using a soft dry brush or dry cloth. Do not use any abrasive or solvent-based cleaner.

A damaged power cable should be replaced by your CLARKE dealer or qualified electrician.

Overloading the sander will also cause overheating. Do not use for heavy duty work and do not apply excess pressure.

Excessive sparking indicates worn brushes. This problem is quickly remedied but you should consult your CLARKE dealer for parts and advice.



# DECLARATION OF CONFORMITY - UKCA & CE

UK  
CA

**Clarke**  
INTERNATIONAL

Hernhill Street, Epping, Essex CM16 4LG

## DECLARATION OF CONFORMITY

This is an important document and should be retained.

We hereby declare that this product(s) complies with the following statutory requirements(s):

*Electromagnetic Compatibility Regulations 2016*

*Supply of Machinery (Safety) Regulations 2008*

*The Restriction of the Use of Certain Hazardous Substances in Electrical and Electronic Equipment Regulations 2012*

The following standards have been applied to the product(s):

EN 55014-1:2017, EN 55014-2:2015, EN 61000-3-2:2014, EN 61000-3-3:2013

EN 62841-1:2015, EN 62841-2-4:2014, IEC 62321-3-1:2013, IEC 62321-4:2013+A1:2017,

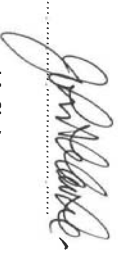
IEC 62321-5:2013, IEC 62321-6:2015, IEC 62321-7-1:2015, IEC 62321-7-2:2017, IEC 62321-8:2017

The technical documentation required to demonstrate that the product(s) meet(s) the requirement(s) of the aforementioned legislation has been compiled and is available for inspection by the relevant enforcement authorities.

The UKCA mark was first applied in: 2022

**Product Description:** Detail Sander  
**Model number(s):** CDS1V  
**Serial / batch Number:** N/A  
**Date of Issue:** 22/04/2022

Signed:



J.A. Clarke  
Director

CE

**Clarke**  
INTERNATIONAL

Fitzwilliam Hall, Fitzwilliam Place, Dublin 2

## DECLARATION OF CONFORMITY

This is an important document and should be retained.

We hereby declare that this product(s) complies with the following directive(s):

2014/30/EU *Electromagnetic Compatibility Directive*

2006/42/EC *Machinery Directive*

2011/65/EU *Restriction of the Use of Certain Hazardous Substances in Electrical and Electronic Equipment Directive*

The following standards have been applied to the product(s):

EN 55014-1:2017, EN 55014-2:2015, EN 61000-3-2:2014, EN 61000-3-3:2013

EN 62841-1:2015, EN 62841-2-4:2014, IEC 62321-3-1:2013, IEC 62321-4:2013+A1:2017,

IEC 62321-5:2013, IEC 62321-6:2015, IEC 62321-7-1:2015, IEC 62321-7-2:2017, IEC 62321-8:2017

The technical documentation required to demonstrate that the product(s) meet(s) the requirement(s) of the aforementioned directive(s) has been compiled and is available for inspection by the relevant enforcement authorities.

The CE mark was first applied in: 2008

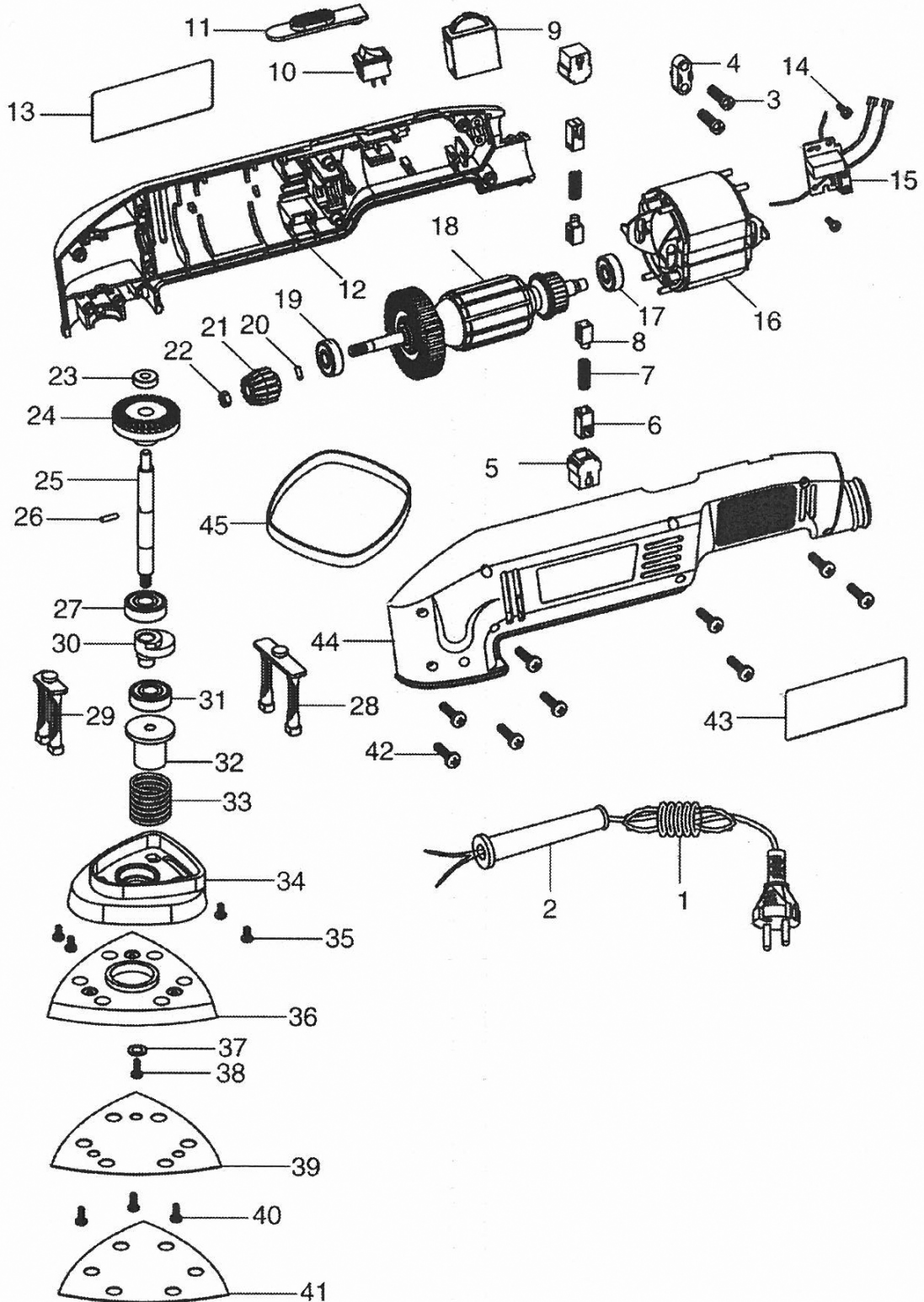
**Product Description:** Detail Sander  
**Model number(s):** CDS1V  
**Serial / batch Number:** N/A  
**Date of Issue:** 22/04/2022

Signed:



J.A. Clarke  
Director

# PARTS DIAGRAM



## PARTS LIST

No	Description	Qty
1	Power cable & plug	1
2	Cable gland	1
3	Screw	2
4	Cable grip	1
5	Brush holder	2
6	Brush lining	2
7	Spring	2
8	Carbon brush	2
9	Speed control	1
10	Switch	1
11	Pusher	1
12	Housing (right)	1
13	Label 1	1
14	Screw	2
15	Circuit board	1
16	Motor stator	1
17	Bearing	1
18	Motor rotor	1
19	Bearing	1
20	Pin	1
21	Small gear	1
22	Nut	1
23	Bearing	1

No	Description	Qty
24	Spur gear	1
25	Output shaft	1
26	Pin	1
27	Bearing	1
28	Rear support	1
29	Front support	1
30	Eccentric wheel	1
31	Bearing	1
32	Bushing	1
33	Spring	1
34	Nose-piece	1
35	Screw	4
36	Backing pad	1
37	Washer	1
38	Screw	3
39	Felt layer	1
40	Screw	9
41	Abrasive pad	1
42	Self tapping screw	1
43	Label 2	1
44	Housing (left)	1
45	Moulding	1

The following sanding sheets are available from your Clarke dealer.

### Item

5 x P60 grit Sanding sheets

5 x P80 Sanding sheets

5 x P120 Sanding sheets

### Part No

6502066

6502067

6502068

# A SELECTION FROM THE VAST RANGE OF

# Clarke®

## QUALITY PRODUCTS



**AIR COMPRESSORS**  
From DIY to industrial, Plus air tools, spray guns and accessories.

**GENERATORS**  
Prime duty or emergency standby for business, home and leisure.

**POWER WASHERS**  
Hot and cold, electric and engine driven - we have what you need

**WELDERS**

Mig, Arc, Tig and Spot.  
From DIY to auto/industrial.

**METALWORKING**  
Drills, grinders and saws for DIY and professional use.

**WOODWORKING**  
Saws, sanders, lathes, mortisers and dust extraction.

**HYDRAULICS**  
Cranes, body repair kits, transmission jacks for all types of workshop use.

**WATER PUMPS**  
Submersible, electric and engine driven for DIY, agriculture and industry.

**POWERTOOLS**  
Angle grinders, cordless drill sets, saws and sanders.

**STARTERS/CHARGERS**  
All sizes for car and commercial use.



## PARTS & SERVICE: 0208 988 7400

**Parts Enquiries**  
[Parts@clarkeinternational.com](mailto:Parts@clarkeinternational.com)

**Servicing & Technical Enquiries**  
[Service@clarkeinternational.com](mailto:Service@clarkeinternational.com)

SALES: UK 01992 565333 or Export 00 44 (0)1992 565335

**Clarke® INTERNATIONAL** Hemnall Street, Epping, Essex CM16 4LG  
[www.clarkeinternational.com](http://www.clarkeinternational.com)